



NCP-DVRHD2

USER MANUAL

FULL HD DASH CAM DVR

WITH REAR VIEW CAMERA



FULL HD

1080P



REAR CAMERA



PARK MODE



3" LCD SCREEN

Caution.....	5
Battery warning	5
Notes on Installation	5
1 Introduction	6
1.1 Features	6
1.2 Package Contents	6
1.3 Product Overview	6
2 Getting Started	7
2.1 Inserting the Memory Card.....	7
2.2 Installing Car DVR.....	7
2.2.1 Adjust the angle of the DVR	7
2.2.2 Connect to Power.....	8
2.3 Powering the Car DVR On / Off.....	8
2.3.1 Auto Power On / Off.....	8
2.3.2 Manual Power On / Off and Reset	8
2.3.2.1 Manual Power On	8
2.3.2.2 Power Off.....	8
2.3.2.3 Reset the device	8
2.4 Playing back Video on PC.....	8
2.5 Initial Settings	9
2.5.1 Formatting Inserted Micro SD Card	9
2.5.2 Set the Date / Time.....	9
2.6 Using the DVR	10
2.6.1 Recording Video	10
2.6.2 Locked Recording.....	10
2.6.3 Video Mode	10
2.7 Settings Menu	10
2.7.1 Image Quality.....	10
2.7.2 Loop Recording	11
2.7.3 Motion Detecton	11
2.7.4 Park Mode	11
2.7.5 G Sensor	12

2.7.6	Volume.....	12
2.7.7	White Balance.....	12
2.7.8	Contrast.....	13
2.7.9	Exposure.....	13
2.8.0	Auto Record.....	13
2.8.1	Screen On Switch	14
2.8.2	Record Audio.....	14
2.8.3	Date.....	14
2.8.4	Language.....	15
2.8.5	Date Stamp.....	15
2.8.6	Delayed Shutdown.....	15
2.8.7	Timezone.....	16
2.8.8	Format	16
2.8.9	Default Settings.....	16
3	Settings Menu.....	17
	Warranty.....	19

Caution

- Ensure you are using your Car DVR within your countries' road laws. Please make sure you are familiar with your local road legislation before use.
- Avoid leaving your Car DVR in direct sunlight for extended periods of time in an unventilated space.
- Please set time and date before you use this device to record.
- The system is to be used only for non-commercial use, within the limits permitted by the relevant laws
- Avoid using the Car DVR in the vicinity of any devices that emit radio interference (eg. Microwave Ovens).
- It is considered normal operation for the Car DVR to get warm during use.

Battery Warning

- Always charge the Car DVR using the provided charger. Improper charging of the Car DVR may result in failure of the internal battery.
- Never dismantle the Car DVR or expose the internal battery.
- Do not dispose of the Car DVR in fire.
- Dispose of the Car DVR observing local regulations being mindful of the internal battery.
- Do not attempt to replace or expose the internal battery.

Notes on Installation

1. It is advised that the Car DVR is installed near the rear view mirror, at the top centre of the windshield for optimal operation.
2. Make sure that the lens is within the range of the windscreen wiper to ensure a clear view when it rains.
3. Do not touch the lens with your fingers. Finger prints left on the lens will result in unclear videos or photos. If photos or videos are blurred, please clean the lens gently with a microfibre cloth.
4. Only use the included charging cable to power the Car DVR.

1. Introduction

Thank you for purchasing a NanoCam Plus Car DVR. We are certain that our product will give you troublefree operation while providing you with a safety feature that enhances your driving experience. Our products, like most after-market safety enhanced devices, are designed to assist and aid the driver, not to replace the manual function of the person operating the vehicle. Please read through these instructions before attempting to install this product.

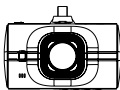
For the latest manual and product updates, please visit our website at www.nanocamplus.com.au or www.nanocamplus.co.nz

1.1 Features

- Front Camera recording full high definition 1080P footage at 30 frames per second
- Rear camera recording high definition 720P footage at 30 frames per second
- Dual channel simultaneous recording
- 2.4" colour screen
- 120° wide angle lens
- Emergency recording saves your footage when an impact is detected
- Supports Micro SD cards, class 6 and above up to 32GB

1.2 Package Contents

Car DVR



Rear Camera



6M Extension Cable



Micro USB Cable

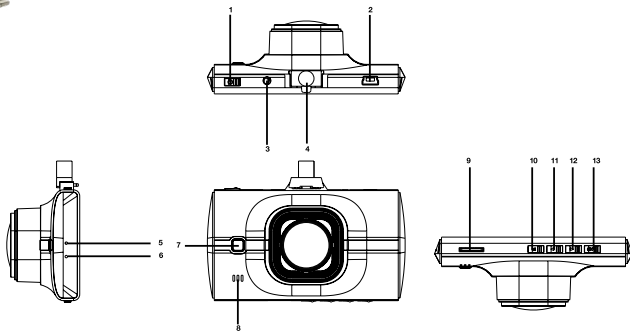


12v Adapter



1.3 Product Overview

1. (On/Off) Button
2. Mini USB Port
3. Mounting socket
4. Power Socket
5. Reset Button
6. Microphone
7. LED Light
8. Speaker
9. Micro SD Slot
10. Menu/Mode Button
11. Up Button
12. Down Button
13. OK Button



2. Getting Started

2.1 Inserting Memory Card

With the Car DVR turned off and the screen facing towards you insert the memory card with the text on the Micro SD card facing toward you. Push the memory card in until a click is heard.



Note:

1. Do not remove or insert the memory card while the Car DVR is turned on as this may damage the memory card or corrupt the memory cards stored data.
2. Please use a Class 6 or higher rated micro SD card with a maximum capacity of 32GB.
3. Please format the Micro SD card before the initial use.
4. When removing the memory card, be careful as the card may eject quickly.

To remove the memory card

Ensure that the Car DVR is powered off, push the memory card until a click is heard and release the card to eject.

2.2 Installing the Car DVR

1. Remove the protective stickers from the Car DVR and the Suction Mount.
2. Slot the mount bracket into the socket on the top of the Car DVR and with the screen facing you, slide the bracket from left to right until the bracket locks in place.
3. With the suction mount tab in the up position attach the suction cup to the windscreen.
4. Press the mount base firmly against the windscreen and switch the suction mount tab to the down position.

2.2.1 Connecting the Rear Facing Camera

1. Clean the inside of your rear window ensuring there is no dust on the window.
2. Remove the protective film from the Rear Facing Camera's 3M sticker and place the camera in the desired position on the inside of your rear window, ensuring that the rear camera's mount is above the rear camera's camera lens.
3. Hold the mount firmly against the glass for 30 seconds.
4. Connect the camera to the 6M Extension cable.
5. Run the cable tidily along or underneath your vehicles trim up to the Car DVR.
6. Making sure that the Car DVR is powered off, connect the mini USB plug to the Car DVR's Mini USB port.

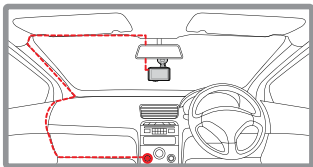
2.2.2 Adjust the angle of the Car DVR

1. Loosen the knob on the right hand side of the mounting bracket, and adjust the vertical and horizontal angle of the camera.
2. Tighten the knob to lock the position of the camera.

2.2.3 Connecting to Power

Only use the included charger to power and charge the Car DVR.

1. Once the Car DVR is securely installed on your vehicle's windscreen, plug the 12v charger into your vehicle's cigarette lighter.
2. Run the cable along your vehicle's console and windscreen and plug the power plug into the Car DVR.



Note:

1. It is recommended that the Car DVR is installed behind your vehicle's rear view mirror.
2. Make sure that the camera view is not obstructed by any window tint or any other objects.
3. When removing the suction mount be sure to release the suction mount by switching the suction latch to the down position.

2.3 Powering the Car DVR On / Off

2.3.1 Auto Power On/Off

When the Car DVR is correctly installed and connected to your vehicle's 12v power supply, the Car DVR will automatically power up and start recording when the vehicle accessories are activated.

2.3.2 Manual Power On/Off and Reset

2.3.2.1 Manual Power On

Hold the Φ (Power) button on the top of the camera until the NanoCam Plus start up screen appears.

2.3.2.2 Power Off

Make sure that recording has been stopped and then press the Φ (Power) button on the top of the car DVR. After powering down the device please wait for 10 seconds before turning the Car DVR back on.

2.3.2.3 Reset the Device

If the Car DVR does not function normally, try restarting the car DVR. To restart the car DVR, with a flattened paper clip press the small button in the middle of the underside of the Car DVR.

2.4 Playing back video on a PC

To playback video files on your PC it is recommended to connect the Micro SD card (not included) directly to your PC using either a USB Micro SD card reader (not included) or if your PC has a SD card slot, a Micro SD/SD Card converter (not included). Once the **Micro SD** card is connected it should appear as a removable storage device. It is recommended that you transfer video files that you want to playback to a file on your computer before attempting to playback. This will reduce any delay in playback.

2.5 Initial Settings

Before using the Car DVR we recommend **Formatting the Inserted Micro SD Card** and setting the correct Time and Date.

2.5.1 Formatting the Inserted Micro SD Card

Formatting the Micro SD card will delete all information on the inserted Micro SD Card and prepare the card for use with the Car DVR.

1. Press the **OK** Button to stop the Car DVR from recording.
2. Press the **M** Button to enter the **Video Menu**.
3. Press the **M** Button again to enter the **Settings Menu**.
4. Use the **A** and **V** Buttons to navigate the **Settings Menu** and highlight the **Format** setting and press **OK** to select.
5. Select **SD Card** and press the **OK** Button.
6. Select **OK** to confirm and press the **OK** Button.

Note:

1. Menus cannot be accessed while the camera is recording. Please stop the recording before attempting to access the menu.
2. **Formatting your Micro SD Card** will delete all files from the card. Once these files have been deleted you will not be able to recover them.

2.5.2 Set Date / Time

Setting the Time and Date allows you to stamp your footage with the time as a reference.

1. Press the **OK** Button to stop the Car DVR from recording.
2. Hold the **M** Button for 2 seconds to enter the **Settings Menu**.
3. Use the **A** and **V** Buttons to navigate the **Settings Menu** and highlight the **Date** setting and press **OK** to select.
4. Use the **A** and **V** buttons to edit the selected digit and the **M** button to confirm and progress to the next digit.
5. Once the time and date has been entered press the **M** button to save and exit the **Date** setting.

Note:

1. Menus cannot be accessed while the camera is recording. Please stop the recording before attempting to access the menu.
2. Once the time and date is set it can be stamped onto your footage using the **Date Stamp** setting. Please see section **Date Stamp** for more details.

2.6 Using the Car DVR

2.6.1 Recording Video

When the Car DVR is connected to your vehicle's 12v power supply, the Car DVR will automatically power up and begin recording when you start your vehicle. During the start up the buttons will be unresponsive and the camera will take a moment to begin recording. The Car DVR will automatically stop recording and shutdown when your vehicle is powered off.

Note:

1. Because of how some vehicles are wired, the recording may continue when the engine is switched off. If this happens, please manually turn off the Car DVR or remove the car adapter from the cigarette lighter when not in use.
2. The **recording loop** length can be configured to save a video file for every 3 or 5 minutes of recording. For information on how to adjust this setting please refer to the **Loop Recording** section of this manual.
3. The device saves the recorded footage and photos on to the inserted Micro SD Card. If the memory card capacity is full, the oldest file in the memory card will be overwritten.

2.6.2 Locked Recording

Locked Recording saves the current video file and protects it from being overwritten.

Note:

1. If the **G Sensor** function is enabled and a collision is detected, the device will automatically trigger the emergency recording and protect the current video file. Please refer to the section titled **G Sensor**.
2. The emergency recording file is created as a new file, which will be protected to avoid being overwritten by normal loop recording. If the inserted Micro SD Card fills up with Emergency Recording files the message "**SD Card Full**" will appear on the screen, the oldest emergency file will be automatically deleted when a new emergency recording file is created.

2.6.3 Video Mode

When the Car DVR is powered up the video screen will start by default. In this screen recording will automatically start and can be stopped by pressing the **OK** Button. To access the **Settings Menu**, ensure that the Car DVR is not recording then hold the **M** button for 2 seconds.

2.7 Settings Menu

2.7.1 Image Quality

Image Quality sets the quality of both videos and photos taken by your Car DVR. Higher quality videos and photos will capture more detail and will also produce larger files. To change the image quality, please follow the instructions below.

1. Press the **OK** Button to stop the Car DVR from recording.
2. Hold the **M** Button for 2 seconds to enter the **Settings Menu**.
3. Use the **A** and **V** Buttons to navigate the **Setting Menu** and highlight the **Image Quality** setting and press **OK** to select.
4. Use the **A** and **V** Buttons to highlight your required setting, then press the **OK** button to confirm your selection.

Note:

1. Menus cannot be accessed while the camera is recording. Please stop the recording before attempting to access the menu.
2. Higher resolution clips will create larger files which will fill the Micro SD Card faster.

2.7.2 Loop Recording

Loop recording allows you to set the duration that the camera will record before creating a new clip. To set the clip length please follow the instructions below.

1. Press the **OK** Button to stop the Car DVR from recording.
2. Hold the **M** Button for 2 seconds to enter the **Settings Menu**.
3. Use the **▲** and **▼** Buttons to navigate the **Settings Menu** and highlight the **Loop Recording** setting and press **OK** to select.
4. Use the **▲** and **▼** Buttons to highlight your required Clip Length, then press the **OK** button to confirm your selection.

Note:

1. Menu cannot be accessed while the camera is recording. Please stop the recording before attempting to access the menu.
2. To avoid filling the card quickly it is advised to use the 2 or 3 minute options.

2.7.3 Motion Detection

Motion Detection is used to pause recording when no motion is detected in front of the camera, and to start recording when motion is detected again. To activate the **Motion Detection** setting follow the instructions below.

1. Press the **OK** Button to stop the Car DVR from recording.
2. Hold the **M** Button for 2 seconds to enter the **Settings Menu**.
3. Use the **▲** and **▼** Buttons to navigate the **Settings Menu** and highlight the **Motion Detection** setting and press **OK** to select.
4. Use the **OK** Buttons to turn OFF and ON **Motion Detection** indicated by the check box.

Note:

1. Menu cannot be accessed while the camera is recording. Please stop the recording before attempting to access the menu.

2.7.4 Park Mode

When activated, **Park Mode** will monitor the DVR's G Sensor after you have turned off your vehicle. If an impact is detected the DVR will power up and record a 60 second clip. To set **Park Mode**, follow the instructions below.

1. Press the **OK** Button to stop the Car DVR from recording.
2. Hold the **M** Button for 2 seconds to enter the **Settings Menu**.
3. Use the **▲** and **▼** Buttons to navigate the **Settings Menu** and highlight the **Park Mode** setting and press **OK** to select.
4. Use the **OK** Buttons to turn OFF and ON **Park Mode** indicated by the check box.

Note:

1. Menu cannot be accessed while the camera is recording. Please stop the recording before attempting to access the menu.

2.7.5 G Sensor

The **G Sensor** defines the required force needed to trigger emergency recording. Once Emergency recording is triggered the current recording will be saved and protected from being saved over by the normal loop recording. To set the required sensitivity please follow the instructions below.

1. Press the **OK** Button to stop the Car DVR from recording.
2. Hold the **M** Button for 2 seconds to enter the **Settings Menu**.
3. Use the **▲** and **▼** Buttons to navigate the **Settings Menu** and highlight the **G Sensor** setting and press **OK** to select.
4. Use the **▲** and **▼** Buttons to turn highlight your required sensitivity, then press **OK** to confirm your selection.

Note:

1. Menu cannot be accessed while the camera is recording. Please stop the recording before attempting to access the menu.

2.7.6 Volume

The **Volume** setting controls the cameras volume output. To adjust the cameras volume, please follow the instructions below.

1. Press the **OK** Button to stop the Car DVR from recording.
2. Hold the **M** Button for 2 seconds to enter the **Settings Menu**.
3. Use the **▲** and **▼** Buttons to navigate the **Settings Menu** and highlight the **Volume** setting and press **OK** to select.
4. Use the **▲** and **▼** Buttons to turn highlight your required Volume level, then press **OK** to confirm your selection.

Note:

1. Menu cannot be accessed while the camera is recording. Please stop the recording before attempting to access the menu.

2.7.7 White Balance

The **White Balance** setting is used to optimise your Car DVR to produce the best footage for the surroundings. To adjust the White Balance, please follow the instructions below.

1. Press the **OK** Button to stop the Car DVR from recording.
2. Hold the **M** Button for 2 seconds to enter the **Settings Menu**.
3. Use the **▲** and **▼** Buttons to navigate the **Settings Menu** and highlight the **White Balance** setting and press **OK** to select.
4. Use the **▲** and **▼** Buttons to turn highlight your required setting, then press **OK** to confirm your selection.

Note:

1. Menu cannot be accessed while the camera is recording. Please stop the recording before attempting to access the menu.

2.7.8 Contrast

The **Contrast** setting is used to control the colour contrast of the Car DVR's photos and videos. To adjust the **Contrast**, please follow the instructions below.

1. Press the **OK** Button to stop the Car DVR from recording.
2. Hold the **M** Button for 2 seconds to enter the **Settings Menu**.
3. Use the **▲** and **▼** Buttons to navigate the **Settings Menu** and highlight the **Contrast** setting and press **OK** to select.
4. Use the **▲** and **▼** Buttons to highlight your required setting, then press the **OK** button to confirm your selection.

Note:

1. Menu cannot be accessed while the camera is recording. Please stop the recording before attempting to access the menu.

2.7.9 Exposure

Exposure is used to manually control the light sensitivity settings. To change the **Exposure** setting follow the instructions below.

1. Press the **OK** Button to stop the Car DVR from recording.
2. Hold the **M** Button for 2 seconds to enter the **Settings Menu**.
3. Use the **▲** and **▼** Buttons to navigate the **Settings Menu** and highlight the **Exposure** setting and press **OK** to select.
4. Use the **▲** and **▼** Buttons to highlight your required setting, then press the **OK** button to confirm your selection.

Note:

1. Menu cannot be accessed while the camera is recording. Please stop the recording before attempting to access the menu.

2.8.0 Auto Record

Auto Record setting is used to set whether the DVR starts automatically recording when you turn your vehicle on.

1. Press the **OK** Button to stop the Car DVR from recording.
2. Hold the **M** Button for 2 seconds to enter the **Settings Menu**.
3. Use the **▲** and **▼** Buttons to navigate the **Settings Menu** and highlight the **Auto Record** setting and press **OK** to select.
4. Use the **▲** and **▼** Buttons to turn off and on Auto Record indicated by the check box

Note:

1. Menu cannot be accessed while the camera is recording. Please stop the recording before attempting to access the menu.

2.8.1 Screen On Switch

Screen On Switch is used to set a timer for the screen to turn off after the car DVR has started recording. To adjust the screensaver setting follow the instructions below.

1. Press the **OK** Button to stop the Car DVR from recording.
2. Hold the **M** Button for 2 seconds to enter the **Settings Menu**.
3. Use the **▲** and **▼** Buttons to navigate the **Settings Menu** and highlight the **Screen On Switch** setting and press **OK** to select.
4. Use the **▲** and **▼** Buttons to highlight your required setting, then press the **OK** button to confirm your selection.

Note:

1. Menu cannot be accessed while the camera is recording. Please stop the recording before attempting to access the menu.
2. When the screen is in screensaver mode, the camera will continue recording even though the screen is off.
3. Once the screen is in screen saver mode, it will remain in screensaver mode until the Car DVR is restarted.

2.8.2 Record Audio

The **Record Audio** setting allows you to mute the microphone during recording, or set it to record. To set your recording preferences, please follow the instructions below.

1. Press the **OK** Button to stop the Car DVR from recording.
2. Hold the **M** Button for 2 seconds to enter the **Settings Menu**.
3. Use the **▲** and **▼** Buttons to navigate the **Settings Menu** and highlight the **Record Audio** setting and press **OK** to select.
4. Use the **OK** button to turn off and on **Record Audio** indicated by the check box.

Note:

1. Menu cannot be accessed while the camera is recording. Please stop the recording before attempting to access the menu.

2.8.3 Date

The **Date** setting is used to set the cameras internal clock, which can then be used to add a date stamp to your footage. To set the DVR's internal clock follow the instructions below.

1. Press the **OK** Button to stop the Car DVR from recording.
2. Hold the **M** Button for 2 seconds to enter the **Settings Menu**.
3. Use the **▲** and **▼** Buttons to navigate the **Settings Menu** and highlight the **Date** setting and press **OK** to select.
4. Use the **▲** and **▲** Buttons to cycle the highlighted field, then press the **OK** button to confirm and highlight the next field.
5. Once you have entered the current time and date, press the **M** button to save and exit the **Date** setting.

Note:

1. Menus cannot be accessed while the camera is recording. Please stop the recording before attempting to access the menu.

2.8.4 Language

The **Language** setting is used to select your preferred Language in the menus. To set the systems language follow the instructions below.

1. Press the **OK** Button to stop the Car DVR from recording.
2. Hold the **M** Button for 2 seconds to enter the **Settings Menu**.
3. Use the **▲** and **▼** Buttons to navigate the **Settings Menu** and highlight the **Language** setting and press **OK** to select.
4. Use the **▲** and **▲** Buttons to highlight your required language, then press the **OK** button to confirm your selection.

Note:

1. Menus cannot be accessed while the camera is recording. Please stop the recording before attempting to access the menu.

2.8.5 Date Stamp

Date stamp will stamp the current date onto the footage for future reference. To set the date stamp please follow the instructions below.

1. Press the **OK** Button to stop the Car DVR from recording.
2. Hold the **M** Button for 2 seconds to enter the **Settings Menu**.
3. Use the **▲** and **▼** Buttons to navigate the **Settings Menu** and highlight the **Date Stamp** setting and press **OK** to select.
4. Use the **OK** button turn off and on **Date Stamp** indicated by the check box.

Note:

1. Menus cannot be accessed while the camera is recording. Please stop the recording before attempting to access the menu.
3. For instructions on how to set your DVR's internal clock, please see the section named **Date (2.8.3)**.

2.8.6 Delayed Shutdown

The Delayed Shutdown setting is used to set the amount of time the DVR will record after your vehicle is parked. To set the shutdown delay follow the instructions below.

1. Press the **OK** Button to stop the Car DVR from recording.
2. Hold the **M** Button for 2 seconds to enter the **Settings Menu**.
3. Use the **▲** and **▼** Buttons to navigate the **Settings Menu** and highlight the **Delayed Shutdown** setting and press **OK** to select.
4. Use the **▲** and **▲** Buttons to highlight your required delay, then press the **OK** button to confirm your selection.

Note:

1. Menus cannot be accessed while the camera is recording. Please stop the recording before attempting to access the menu.

2.8.7 Timezone

The **Timezone** setting is used to set the time zone that the camera is being used in. To set the time zone please follow the instructions below.

1. Press the **OK** Button to stop the Car DVR from recording.
2. Hold the **M** Button for 2 seconds to enter the **Settings Menu**.
3. Use the **▲** and **▼** Buttons to navigate the **Settings Menu** and highlight the **Timezone** setting and press **OK** to select.
4. Use the **▲** and **▲** Buttons to highlight your required timezone, then press the **OK** button to confirm your selection.

Note:

1. Menu cannot be accessed while the camera is recording. Please stop the recording before attempting to access the menu.

2.8.8 Format

Formatting the **Micro SD** card will delete all information on the inserted Micro SD Card and prepare the card for use with the Car DVR.

1. Press the **OK** Button to stop the Car DVR from recording.
2. Hold the **M** Button for 2 seconds to enter the **Settings Menu**.
3. Use the **▲** and **▼** Buttons to navigate the **Settings Menu** and highlight the **Format** setting and press **OK** to select.
4. Select **Confirm** and press the **OK** button.

Note:

1. Menu cannot be accessed while the camera is recording. Please stop the recording before attempting to access the menu.
2. Formatting your Micro SD Card will delete all files from the card. Once these files have been deleted you will not be able to recover them.

2.8.9 Default Settings

Default Settings is used to revert the Car DVR's settings to their default settings. To reset the camera to restore the default settings, please follow the instructions below.

1. Press the **OK** Button to stop the Car DVR from recording.
2. Hold the **M** Button for 2 seconds to enter the **Settings Menu**.
3. Use the **▲** and **▼** Buttons to navigate the **Settings Menu** and highlight the **Default Settings** setting and press **OK** to select.
4. Select **Confirm** and press the **OK** button.

Note:

1. Menu cannot be accessed while the camera is recording. Please stop the recording before attempting to access the menu.

3. Settings Menu

Settings	Image Quality	1M	5M
		2M	8M
	Loop recording	1 Minute	5 Minutes
		3 Minutes	
	Motion Detecton	On	Off
	Parkmode	High	Low
		Middle	
	G Sensor	High	Low
		Middle	Off
	Volume	High	Low
		Middle	
	Contrast	0	3
		1	4
		2	5
	Exposure	-3	+1
		-2	+2
		-1	+3
		0	
	Auto Record	On	Off
	Screen On Switch	10 Seonds	30 Seconds
		20 Seconds	Close
	Recording Audio	On	Off
	Date	Set Date	
	Language	ENGLISH	RUSSIAN
		JAPANESE	CHINESE S
		KOREAN	CHINESE T
	Date Stamp	On	Off
Delayed Shutdown	3 Seconds	10 Seconds	
	5 Seconds	Off	
Timezone	Set Timezone		
Format	Confirm	Cancel	
Default Settings	Confirm	Cancel	
Firmware	Firmware Version		

Warranty Terms & Conditions

Our goods come with guarantees that cannot be excluded under the Australian & New Zealand Consumer Law. You are entitled to a replacement or refund for a major failure and for compensation for any other reasonably foreseeable loss or damage. You are also entitled to have the goods repaired or replaced if the goods fail to be of acceptable quality and the failure does not amount to a major failure.

This warranty is provided in addition to your rights under the Australian & New Zealand Consumer Law.

NanoCam Plus warrants that this product is free from defects in material and workmanship for a period of 12 months from the date of purchase or for the period stated on the packaging. This warranty is only valid where you have used the product in accordance with any recommendations or instructions provided by NanoCam Plus.

This warranty excludes defects resulting from alterations of the product, accident, misuse, abuse or neglect.

In order to claim the warranty, you must return the product to the retailer from which it was purchased or if that retailer is part of a National network, a store within that chain, along with satisfactory proof of purchase. The retailer will then return the goods to NanoCam Plus. NanoCam Plus will repair, replace or refurbish the product at its discretion. The retailer will contact you when the product is ready for collection. All costs involved in claiming this warranty, including the cost of the retailer sending the product to NanoCam Plus, will be borne by you.

NanoCam Plus Address: 44 Translink Drive, Keilor Park Victoria Australia 3042

Ph: +61 03 8331 4800

Email: info@nanocamplus.com.au



www.nanocamplus.com.au
www.nanocamplus.co.nz



© Nanocam Plus 2016